

**LOAD
LIFTER®**

1056-J REACH



- 10,000 LBS. CAPACITY
- 56 FOOT LIFT HEIGHT
- 360 DEGREE OPERATOR VISIBILITY
- ADVANCED LOAD SENSE HYDRAULIC SYSTEM
- R.O.P.S, F.O.P.S ERGONOMIC OPERATORS MODULE
- LOW PROFILE DESIGN
- HI STRENGTH BOOM ASSEMBLY
- WELDED BOX FRAME STRUCTURE
- STABLE, RESPONSIVE, PERFORMANCE
- NORTH AMERICAN MANUFACTURED
- FULL RANGE OF ATTACHMENTS



LOAD LIFTER FEATURES DO WORK FOR YOU

PERFORMANCE

Rated Capacity @ 24" Load Centre	10,000 lb.	4536 kg
Maximum Lift Height	56 ft.	17.07 m
Load At Maximum height	56' 6.000 lb. with stabilizers down	
Maximum Forward Reach	42'3"	12.83 m
Load At Maximum Reach	42'3" 3.000 lb. stabilizers down	
Lift speed (boom retracted)	Lift 15.04 sec	Lower 13.79 sec
Extend	20.47	
Retract	14.37	
Turning Radius	15'	4.57 m
Top Travel speed	13.9 mph	22.37 kph
Carriage: Forward Tilt	80 degrees	Backward: 20 degrees Width: 48"

DIMENSIONS

Width 102"	Length 277"	Height 99"
Wheel Base 138"	Ground Clearance 17"	Weight (Basic) 34,200 LB.

ENGINE

Make	FPT F34
Displacement	3.4 Litres (207.5 cu. in.)
Gross H.P.	74.3 H.P. (55 KW.)
Maximum Torque	214.6 lb-ft (291 N m. @ 1600 RPM)
Rated Speed	2500 RPM.

TRANSMISSION

Dana T20,000
Three Speed Electric column shift

AXLES

Dana: Heavy duty planetary drive. Full time four wheel drive

BRAKES

Full power hydraulic oil immersed, fail safe disc brakes

TIRES

Standard 14.00 x 24 - 16 PLY LUG

CAB

Certified R.O.P.S./ F.O.P.S. Large ergonomic operators module, Industry leading visibility, Excellent operator entry and exit.

STEERING

Operator select, 4-wheel circle, 4-wheel crab, 2-wheel rear, Full load sense steering, Anti-shock valve in steering

HYDRAULICS

Load sense system, Variable displacement piston pump, 38 G.P.M., Load sense steering, 10 Micron filter. Parker I-QAN system.

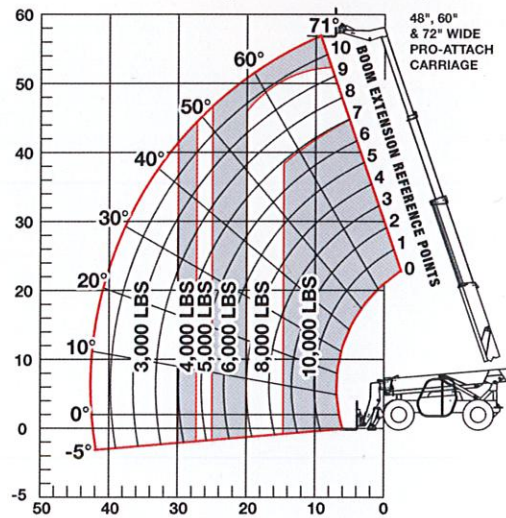
FRAME

Heavy duty box frame structure. 20 Degrees hydraulic frame leveling. Hydraulically actuated front stabilizers.

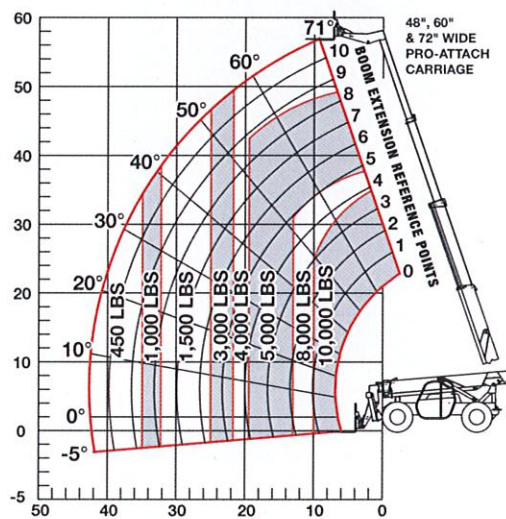
STANDARD EQUIPMENT

- R.O.P.S & F.O.P.S. Operator module, Single Joystick control
- Suspension seat
- Retractable seat belt
- Tilt & telescopic steering console
- Digital Display
- Safety start
- Block heater
- Circuit breakers & Rocker switch's
- Hour Meter
- Work Light Switch
- 4 Work lights 2 front 2 rear
- Electric horn
- Chain Tie downs
- Dry type air cleaner
- Vandalism protection
- Back up alarm
- Heavy-duty batteries
- Right side rear view mirror
- Antifreeze to -40°
- Frame level indicator
- Automatic self-leveling carriage with manual override
- Reach pro-attach system
- 48 Inch Shaft Type Carriage
- 2.25 x 5" x 48" Shaft pallet forks
- Tool box
- Operators and safety manuals.

**LOAD LIFTER 1056-J REACH
LOAD CHART (STABILIZERS DOWN)**



**LOAD LIFTER 1056-J REACH
LOAD CHART (STABILIZERS UP)**



OPTIONAL EQUIPMENT

- Factory installed all weather steel cab C/W Heavy duty heater with directional vents, Dome light, Tempered safety glass, Removable door, front & rear wipers, Right hand side slider window.
- Windshield washer kit
- Turn signals
- Boom light
- Air ride seat
- Padlocks
- Strobe light
- Fenders
- Winterization package
- Auxiliary hydraulic circuit.

Attachments.

- 60", 72" & 84" floating pin carriages
- 48" & 60" Side tilt masonry carriages
- Utility Bucket 84"
- Truss boom 10' & 12'

Forks 2.25 x 5 x 60" & 2.25 x 5 x 72" & 2.25 x 5 x 84" Lumber forks

This information contained herein is general in nature and not intended for specific application purpose. Load Lifter reserves the right to make changes in specifications, make improvements, or discontinue manufacture at any time without notice or obligation.



LOAD LIFTER MANUFACTURING LTD.

3 Anderson Blvd., Uxbridge, Ontario, Canada, L9P 0G5

Tel. 905-642-9756, Fax. 905-640-1437, www.load-liftermfg.com, info@load-liftermfg.com